

## 2.8MM Lens 5MP 25FPS Underwater IP Camera #DZ10010-SS(UW-S5-3CX)

Application: Aquaculture (fish farming, raising sea cucumber, etc.), Aquarium breeding, Laboratory observation, Shipborne, Ship engine monitoring, Car, Underwater wedding photography, Undersea marine life research, hole of water conservancy pipe, Downhole TV, Diving adventure camera, Underwater engineering acceptance, Downhole observation (such as drilling and workover), Fishing



### Main advantage:

1. Resolution: 5MP 2592×1520P 25FPS color 0.01Lux F1.2, black/white 0.001Lux F1.2
2. Sensor: 1/2.7" OV CMOS sensor,
3. Fixed lens: 2.8mm (H.FOV:100°)
4. Illumination: Light sensor controlled 3 white light, 10 level brightness settings, Light sensor controlled 4 infrared light, 10 level brightness settings 400Lumen
5. Dimension:  $\Phi$ 70mm\*100mm
6. Waterproof: Maximum 500KPa (Water pressure resistance 50M)
7. Image latency: 400MS
8. Supports Support iOS, Android, computer, NVR. Compatible with hikvision, dahua, proprietary protocol. (Only support windows-IE browser for camera internal parameter setting)
9. Support IPv4/IPv6, 802.1x, HTTPS, HTTP, TCP/IP, UDP, RTP, RTCP, UPNP, RTSP, SMTP, NTP, DHCP, DNS, PPPOE, DDNS, FTP, RTSP, ONVIF; SDK Secondary development



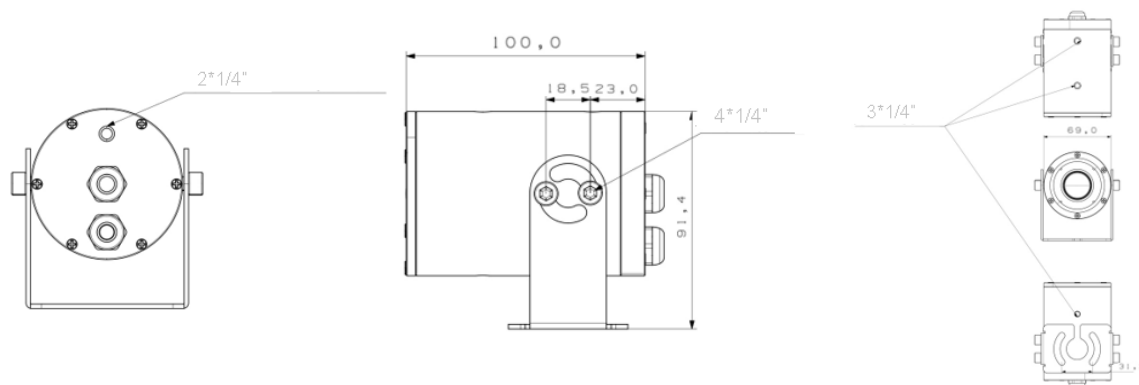
**MARIN FOTO**

Knappevegen 24, 5337 RONG - NORWAY

Tlf: 92 02 32 48

[www.marinfoto.no](http://www.marinfoto.no)  
[marin@uvfoto.com](mailto:marin@uvfoto.com)





#### Detail Spec

Camera Dimension	Φ70mm*100mm(L)
Lens	2.8mm (H.FOV:100°), lens
Sensor	1/2.7" OV CMOS sensor ,color 0.01Lux F1.2,black/white 0.001Lux F1.2
Sensor Option	<b>With fish mounting function when the fish swimming at the front of the lens</b>
Resolution	5MP 2592×1520P 25FPS
Illumination	3pcs led lights and 4 pcs infrared lights, 10 level brightness level ; 400Lumen
Water depth	500Kpa (50M)
Camera Housing	316L stainless steel
Cable	The default length is 10 meters (the longest is no more than 80 meters),PU material,Diameter 7MM.Resistance to 60KG pull,Anti-aging,Anti-friction,Resistance to seawater corrosion,Special underwater wire.
Support device	Support iOS, Android, computer, NVR.Compatible with hikvision, dahua, proprietary protocol.(Only support windows-IE browser for camera internal parameter setting)
Supporting agreement	IPv4/IPv6,802.1x,HTTPS, HTTP, TCP/IP, UDP, RTP, RTCP, UPNP, RTSP, SMTP, NTP, DHCP, DNS, PPPOE, DDNS, FTP,RTSP,ONVIF;SDK Secondary development
Use environment	Sea water / fresh water /Underwater,land,Car,Shipborne.
Working humidity	0%-100%
working temperature	-20°~55°
Power Supply	Cable length ≤ 10 meters;3 options: Default options 1:DC12V/POE 48V-54V IEEE.802.af power input and output pin: 1, 2 (+) / 3, 6 (-); options 2:DC12-DC28V/AC12-AC28V; options 3:POE 48V-54V IEEE.802.af power input and output pin: 1, 2 (+) / 3, 6 (-),4, 5 (+) / 7, 8 (-);  Cable length 11-70 meters;2 options: options 1:DC24V/AC24V; options 2:POE 48V-54V IEEE.802.af power input and output pin: 1, 2 (+) / 3, 6 (-),4, 5 (+) / 7, 8 (-);
Net weight	2KG
Package	1* camera 1* camera bracket 1*U disk (instruction and software)



**MARIN FOTO**

Knappevegen 24, 5337 RONG - NORWAY

Tlf: 92 02 32 48

www.marinfoto.no  
marin@uvfoto.com

